

# **DPM35S & DPM35SD**

## **Instruction manual**

# Instruction manual

## DPM 35S, DPM35SD



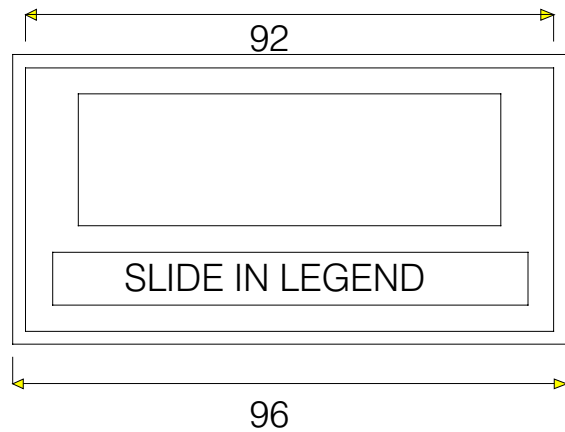
The DPM is a complex component only for professional assemblers. The unit is CE marked according to LVD 73/23/EEC amended 93/68/EEC. Follow these installation guidelines for EMC compatibility. Further measures may be necessary. Installers must have a level of technical competence to correctly install. The EMC behaviour is the responsibility of the manufacturer of the system or installation using this component.

### DPM 35S

DISPLAY RANGE +/-1999

Apart from the display range the two models have the same specification

- DIN 43700 CASE
- PLUG ON SCREW TERMINALS
- SLIDE IN LEGEND
- FULL RANGE SCALING
- OFFSET CONTROL
- DECIMAL POINT SELECTABLE
- +/- 5V TO +/-400V INPUT RANGE

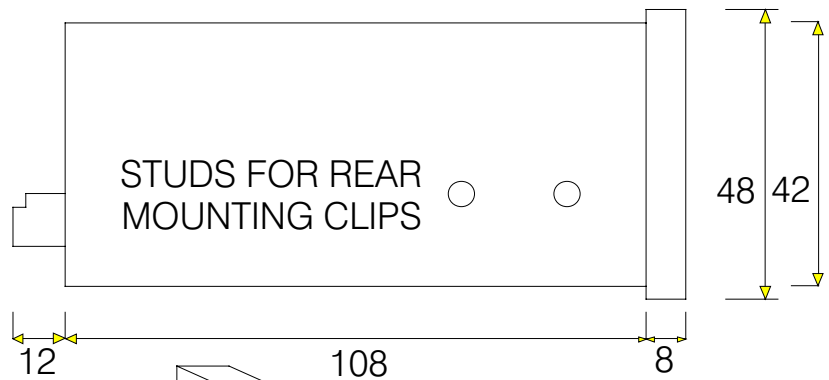


### DPM 35SD

The 35SD unit counts in tens

DISPLAY RANGE +/-19990

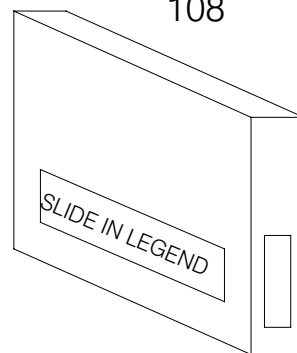
- 4-20mA LOOP INPUT
- RATIOMETRIC INPUT
- AUTOMATIC POLARITY SENSING
- UNIVERSAL AC SUPPLY INPUTS
- TRAILING DIGIT BLANKING
- DISPLAY HOLD INPUT
- OVERANGE INDICATION



TIP. MAKE LEGEND TAPE LONGER THAN FACIA FOR EASE OF CENTREING

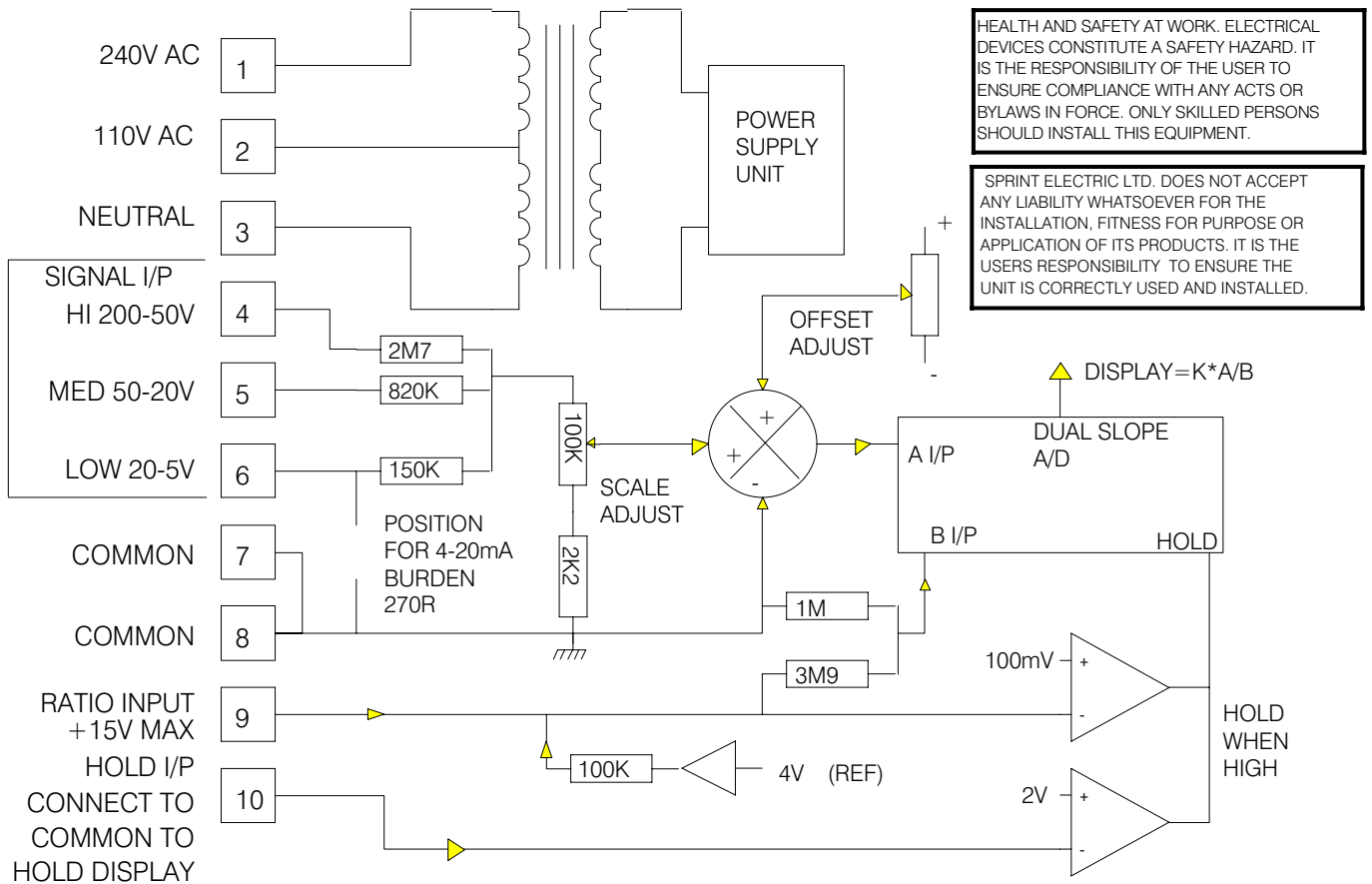
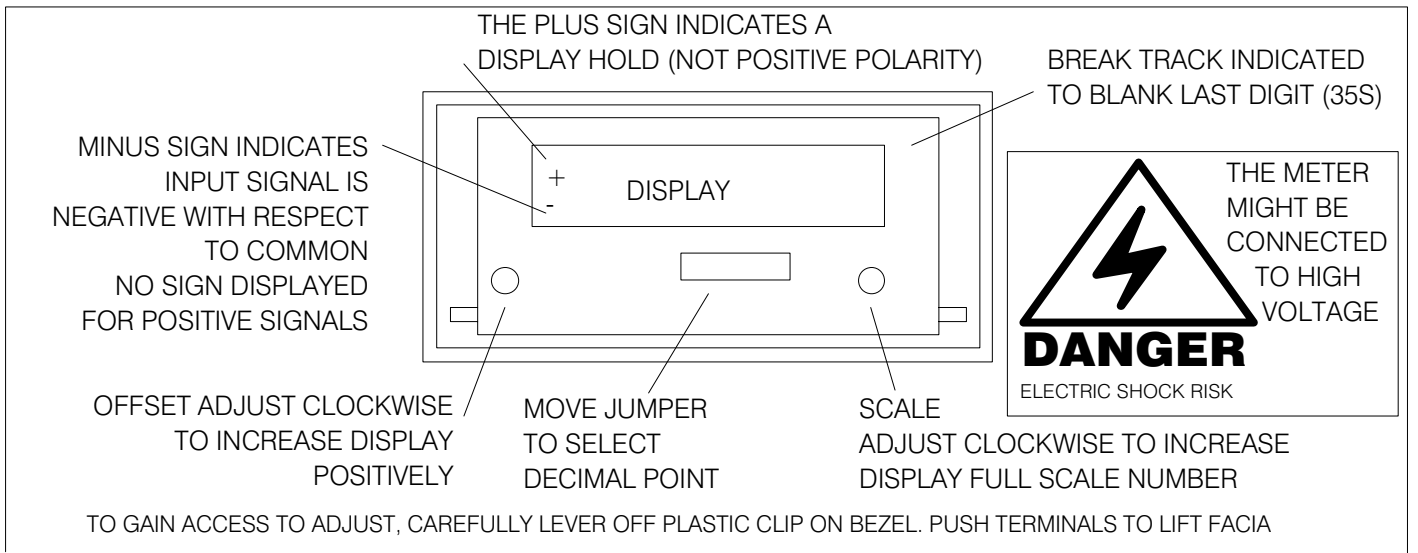
#### LEGEND TAPE DIMENSIONS

- MAXIMUM THICKNESS 0.3mm (0.012")
- MAXIMUM WIDTH 13mm
- TEXT WINDOW 80mm BY 8mm



SLOT IN FACIA FOR SLIDE IN LEGEND TAPE

ACCURACY	+/-0.05%	RESPONSE	1 SEC. to 0.1%
LINEARITY	0.05%	CONV. TIME	400mS
TEMPCOEFF	10ppm/C (0-40)	OFFSET RANGE	+/-20% of F.S.
DISPLAY	14mm RED LED	SUPPLY	110/240 AC 3W
HOLD MODE	+ ILLUMINATED	TERMINALS	ACCEPT 1.5mm wire
RATIO MODE		WEIGHT	300gm
MULTIPLIER INPUT	TERMINAL 4, 5 OR 6	OVERANGE	35S +1 <span style="border: 1px solid black; padding: 2px;">BLANK</span>
DIVISOR INPUT	TERMINAL 9. 0 to +15V MAX		35SD +1 <span style="border: 1px solid black; padding: 2px;">BLANK 0</span>
AUTO HOLD IN RATIO MODE	BELOW 100mV	POLARITY IND.	NEGATIVE ONLY



Choose signal input terminal 4, 5 or 6 to suit full scale range. The scaling preset will then span between 10% and 100% of the display range. All signal inputs are referred to COMMON on terminals 7 and 8.

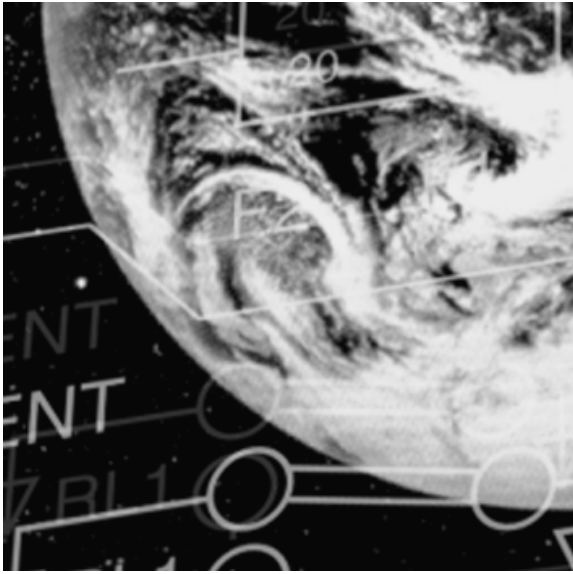
For 4-20mA signals remove rear cover and insert a 270 Ohm burden in position provided (R34). Adjust for zero display at 4mA with the offset preset.

Ratio mode. Display = A/B. B is entered via terminal 9, 0 to +15V max. Below 100mV the display holds (+). 'A' is entered via T4, T5 or T6. With 'A' disconnected set the display to zero using offset. With 'A' connected set the scale for the desired ratio display according to the signal voltages. Check the ratio for a range of inputs.

To change display polarity, swap the incoming pair of signal wires. To increase sensitivity for small signals connect a resistor between T9 and T8. Value = 100K for X 2 or 10K for X 10.

The unit inputs have built in filters. The display is non-multiplex to minimise radiated noise.

WORLD CLASS IN DESIGN



WORLD BEATING IN FUNCTION

## ***SPRINT* / *Electric***

### **HEAD OFFICE**

Rudford Industrial Estate

Ford

Arundel

West Sussex

BN18 OBE

Great Britain

Tel. (01903) 730000

Fax (01903) 730893

Email [sales@sprint-electric.com](mailto:sales@sprint-electric.com)

Web site [www.sprint-electric.com](http://www.sprint-electric.com)